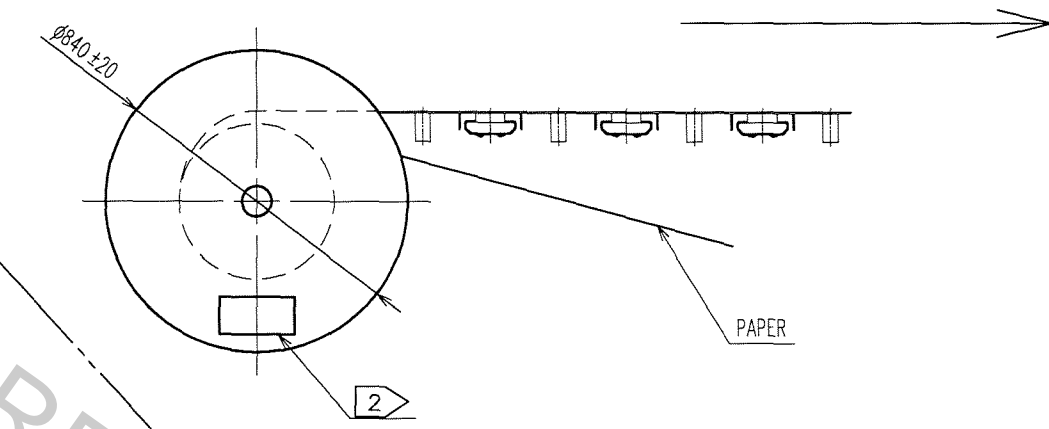
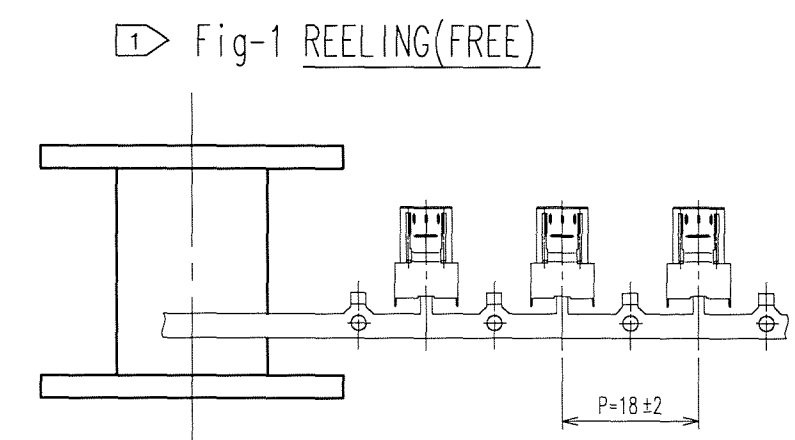
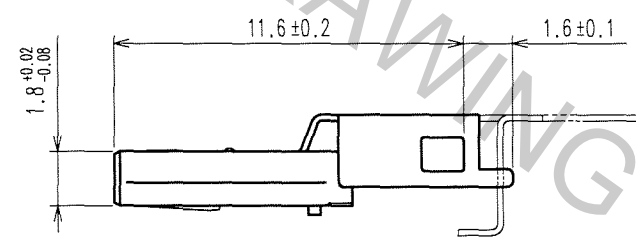
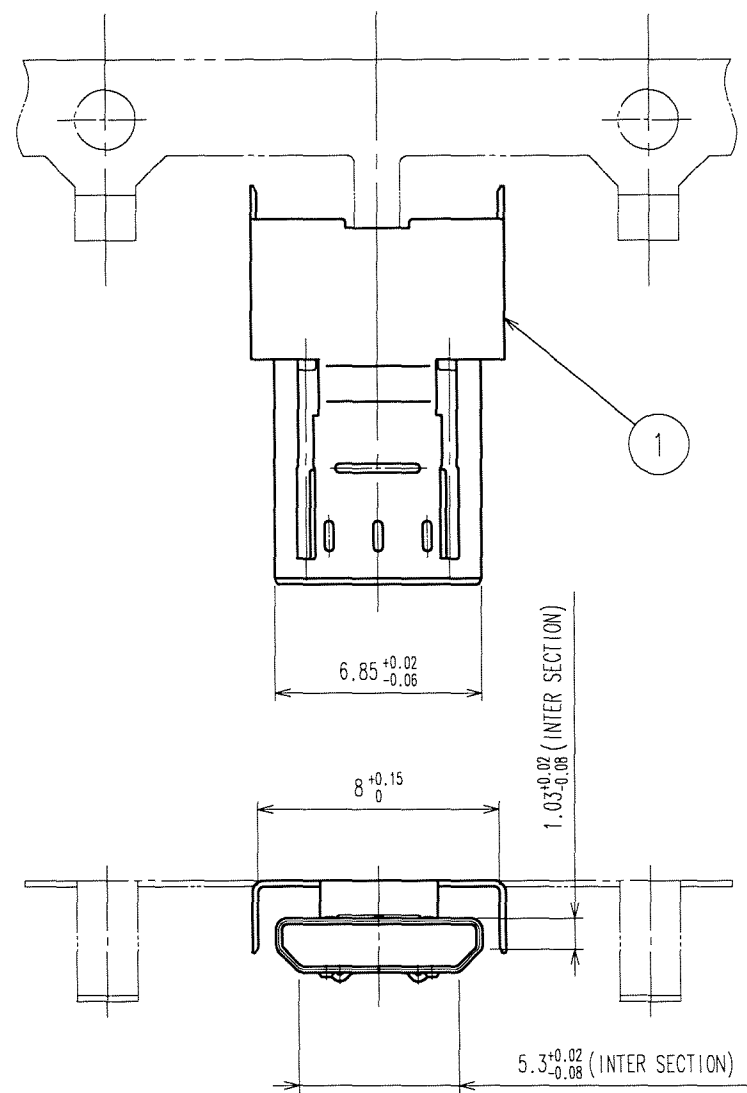
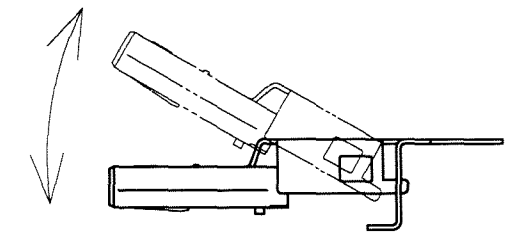
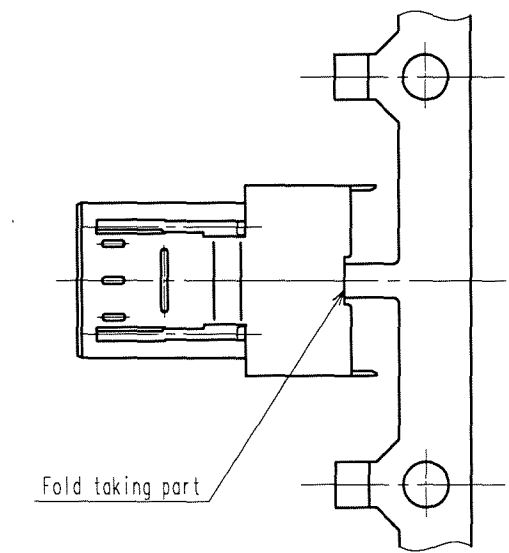
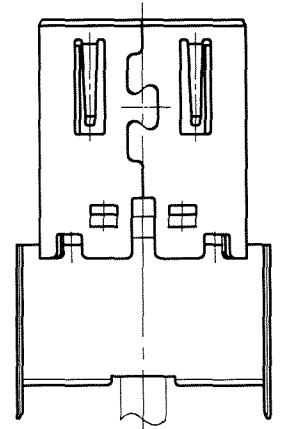


Nov.1.2017 Copyright 2017 HIROSE ELECTRIC CO., LTD. All Rights Reserved.

COUNT	DESCRIPTION OF REVISIONS	BY	CHKD	DATE	COUNT	DESCRIPTION OF REVISIONS	BY	CHKD	DATE



3> Fig-2 CUT OFF A CAREER(FREE)



- NOTE 1> This is delivered by a reel.QTY:4000pcs.
 2> Shown on a reel and a box is ; "Part No.", "Code No.", "Lot No.", "QTY"
 3> Cut off a career as shown in Fig-2.

1	STAINLESS STEEL	Nickel 0.1 μm min.
NO.	MATERIAL	FINISH, REMARKS

CODE NO. (OLD)	DRAWN P. Sakajawa '07.03.06	DESIGNED P. Sakajawa '07.03.06	CHECKED H. Tanaka '07.03.06	APPROVED <i>[Signature]</i> '07.03.06	RELEASED ..
SCALE 4 : 1	DRAWING NO. EDC3-126148	PART NO. ZX20-B-SLDC			
UNITS mm	HRS HIROSE ELECTRIC CO., LTD	CODE NO. CL242-0022-1			

TO