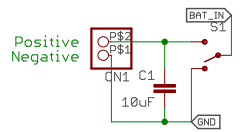
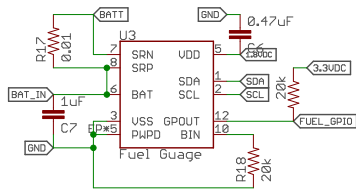


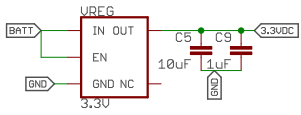
POWER INPUT



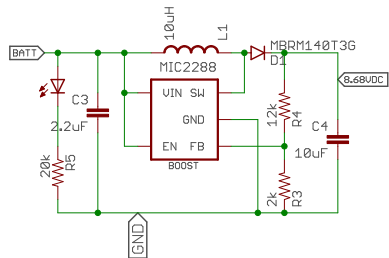
BATTERY MONITOR



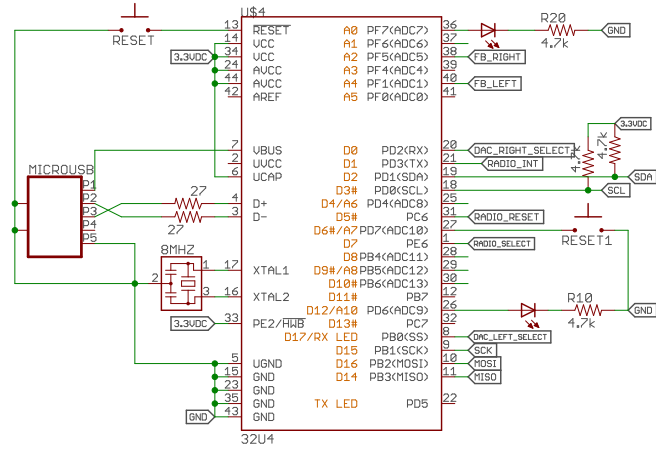
3V REGULATOR



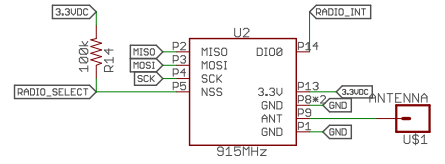
BOOST CIRCUIT



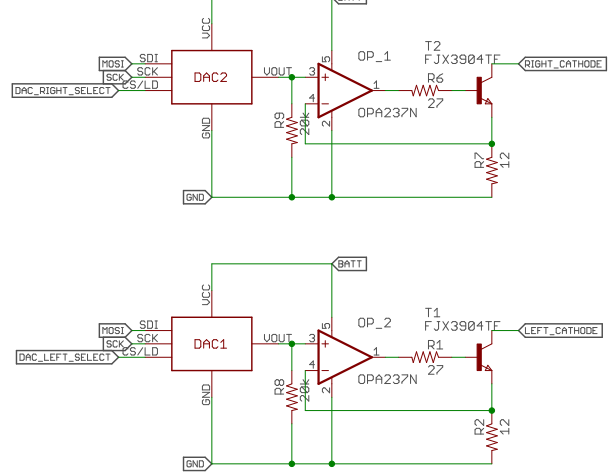
MCU



RADIO



CURRENT CONTROL



IMPLANT CONNECTION

